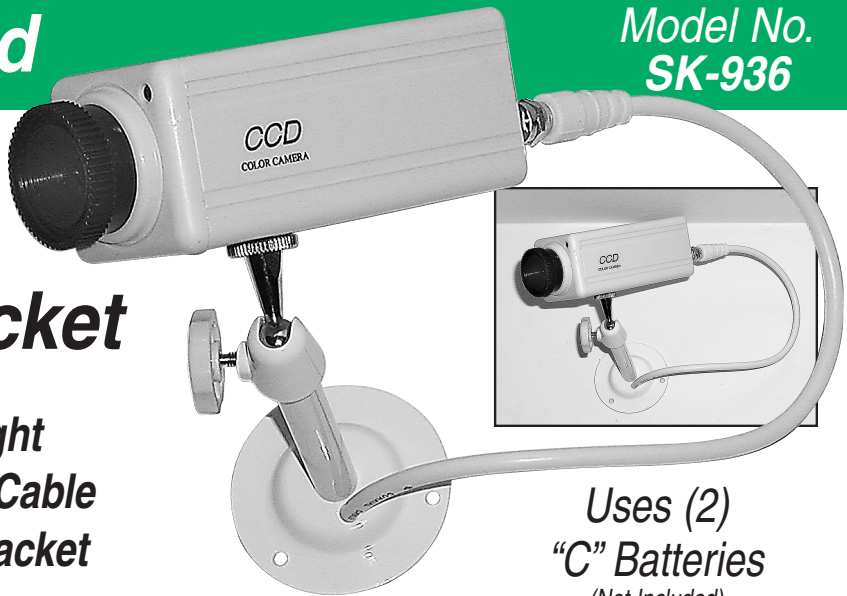




Simulated

**Model No.
SK-936**

Security Camera with Bracket



- **Flashing Red "On" Light**
- **Real Camera Coaxial Cable**
- **Includes Mounting Bracket**

**Uses (2)
"C" Batteries**
(Not Included)

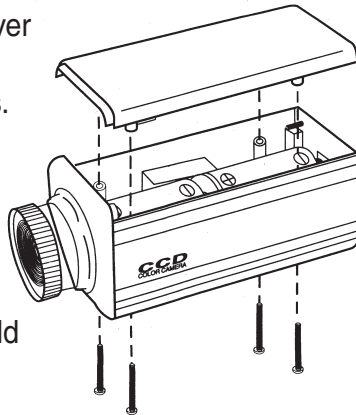
The Simulated Security Camera is an affordable and effective theft-deterrent device. With its flashing red indicator light and coaxial cable, it looks like a real surveillance camera. You can easily mount the simulated security camera indoors to deter possible thieves and intruders. The camera is equipped with an On/Off switch for the flashing red light.

Your simulated security camera comes complete with a mounting bracket, (3) three 1-inch (25.4mm) screws, and (3) three drywall anchors.

Battery Installation:

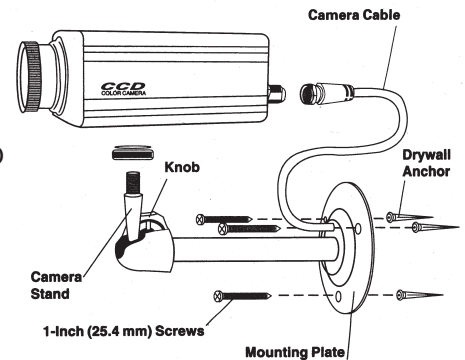
1. Use a small Phillips screwdriver to loosen and remove the (4) four screws on the bottom of the simulated security camera, then remove the battery compartment cover.
2. Install (2) fresh "C" cell batteries into the compartment as indicated by the (+) & (-) polarity symbols marked inside.
3. Replace the cover and secure it with the (4) four screws.

- Only use fresh "C" cell batteries.
- Never mix standard, alkaline, rechargeable, or old with new batteries.



Easy Mounting Instructions:

1. Using the mounting plate on the bracket as a template, mark the position of the (3) three screw holes with a pencil.
2. Drill (3) 1/4" (6.35mm) holes in the marked positions, (If necessary).
3. Insert the (3) drywall anchors into the pre-drilled screw holes.
4. Insert a 1-inch (25.4mm) screw through each of the (3) screw holes in the mounting plate and into the drywall anchors, then tighten the screws.



Se-Kure Controls,® Inc.

On the Web: www.se-kure.com
E-Mail: info@se-kure.com

3714 Runge Street • Franklin Park, IL 60131 • 1-(800) 322-2435 • (847) 288-1111 • Fax: (847) 288-9999